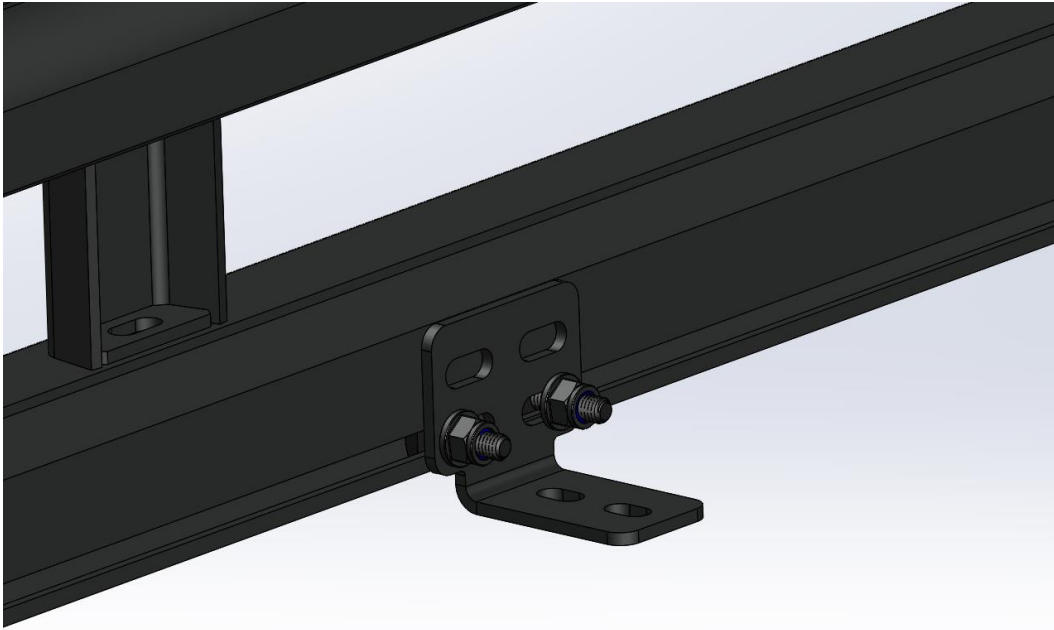


WR04-FITTINGKIT & Platform Rack – Installation Guide.

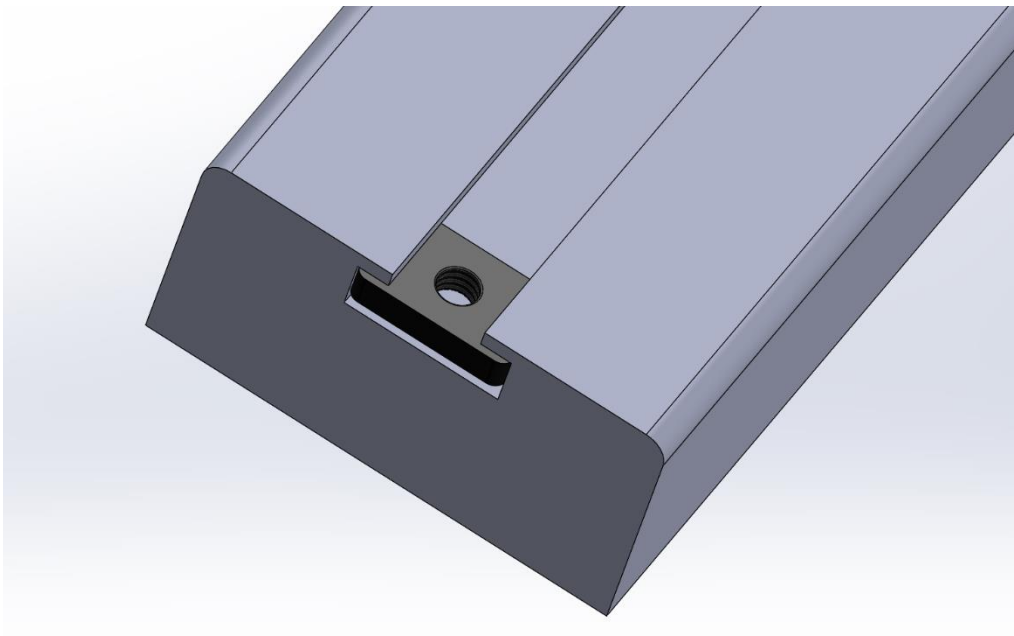
- *Cross bars are to be fitted to vehicle as per cross bars manufactures guidelines.*
- Place platform rack upside down on an even protected surface. Insert T-slot bolts into recess where the plastic joining piece joins the rack together (length ways). Insert on a 45° angle and then push down to insert. T-slot bolt will now slide in either direction.



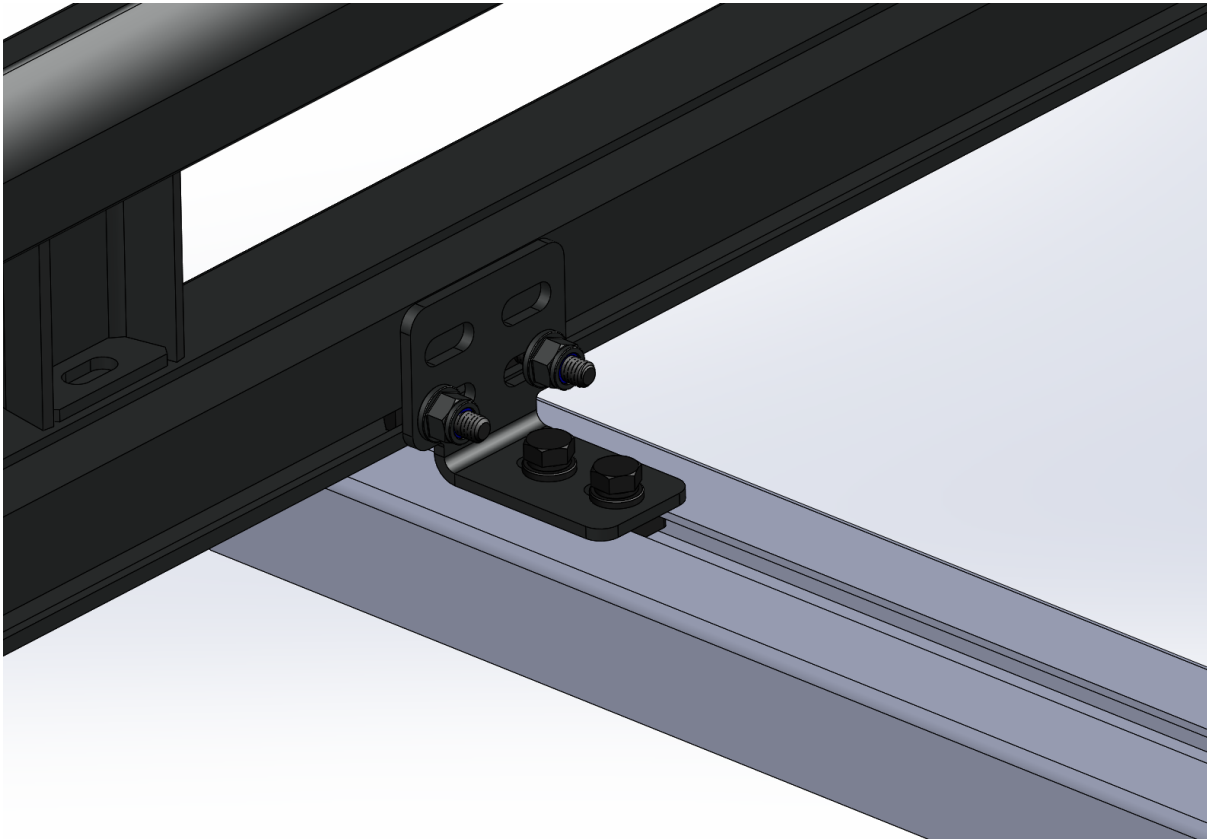
- Slide T-slot bolts within the recessed channel to be roughly in position where mounting brackets will fix. This is – 4 T-slots per side – 2 towards the front on either side and 2 towards the rear on either side.
- Fit the WR04 brackets to the T-slot bolts, do not fully tighten at this stage as the brackets will need to move for adjustment.



- Remove rubber sealing strip and slide in M6 key ways into the recess on the top of the cross rails – 4 per rail.



- Fit the platform rack & WR04 brackets onto the cross bars and fix into place using the fittings & key ways.



- Re fit rubber sealing strip and tighten all fittings once platform rack and cross bars are in their desired position.